

A Patented Oil Safety Lamp with Rotatable Bonnet

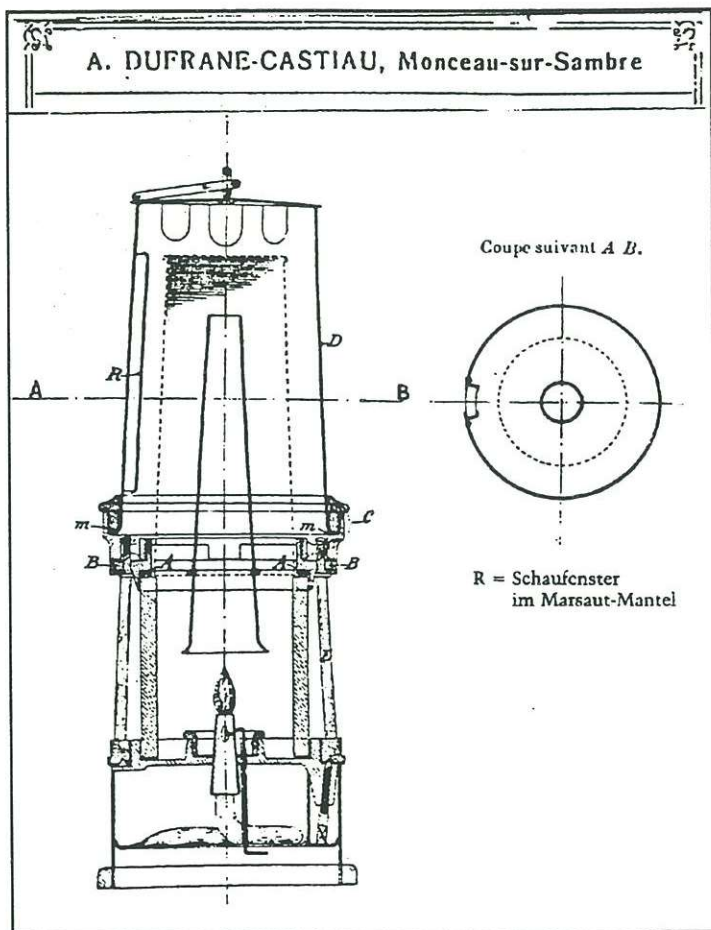
by Manfred Stutzer

A really unusual oil safety lamp is the object of this report. Safety lamp collectors might not have seen such a lamp before.

On February 12, 1907, a patent was granted by the "Kaiserliches Patentamt" (Imperial German Patent Office) under the number 198342 to "Gewerkschaft Johannessegen" in Bredenscheid, Westfalia in Germany. The colliery "Johannessegen" was founded in 1793, and was merged in 1921 with Colliery "Alte Haase" to form "Alte Haase I". In 1969 coal production ceased.

This patented oil safety lamp is basically a bonneted clanny style lamp. The unusual feature is that the bonnet is not fixed but rotatable. Additionally a long glass window in the bonnet allows the user to inspect the gauzes all the way around by twisting the bonnet.

The described patented oil safety lamp was also manufactured by the French lamp company A. Dufrane-Castiau, in Monceau-sur-Sabre.



Kano catalogue of A. Dufrane-Castiau



Oil safety lamp with glass window in bonnet.



KAISERLICHES PATENTAMT.

PATENTSCHRIFT

— № 198342 —

KLASSE 4a. GRUPPE 51.

AUSGEBEN DEN 13. MAI 1908.

GEWERKSCHAFT JOHANNESSEGEN IN BREDENSCHIED I. W.

Sicherheitsgrubenlampe mit Schutzmantel für den Drahtkorb.

Patentiert im Deutschen Reiche vom 12. Februar 1907 ab.

Fig. 1.

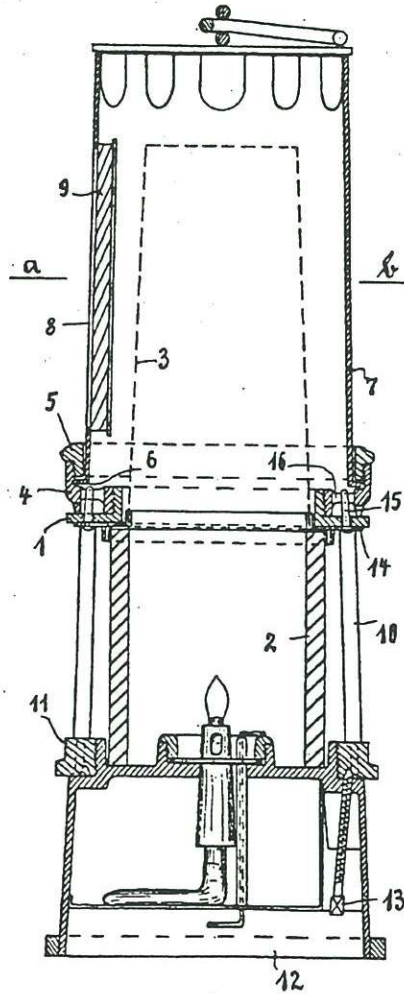


Fig. 2.

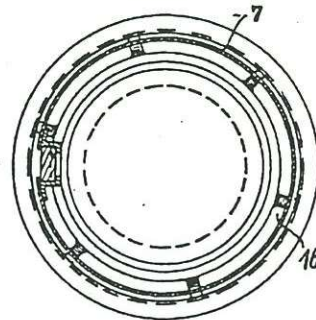


Fig. 3.

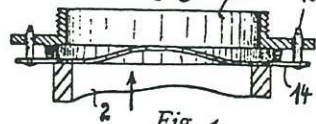
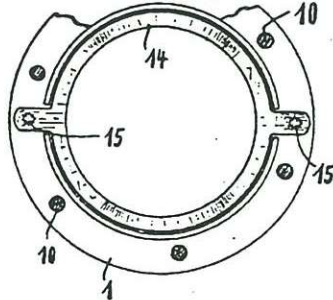


Fig. 4.



Zu der Patentschrift

№ 198342.