

Hydraulic Mine Lamp

Dave Johnson

Recently, while searching for oilwick patents at the U.S. Patent Office in Washington, D.C., I came across this patent for a mining lantern. How many collectors, seeing this item in an antique shop, would recognize it as a patented mine lamp?

On September 8, 1874, Coolidge B. Brown, of Placerville, California, received patent number 154,831 for his lamp. Brown states in his patent "My invention relates to a lamp which is especially adapted for furnishing light in hydraulic mines, where it is necessary during the night-time to light up the face of a bank in order that the miners may see their work; and it [assists] in the construction and arrangement of an oil reservoir, as more fully described hereinafter".

Brown goes on to call his invention the hydraulic mining-lamp. Brown states in the patent that "heretofore hydraulic claims have been lighted up during the night by making a bonfire of cord-wood, at heavy expense, and without furnishing a controllable light".

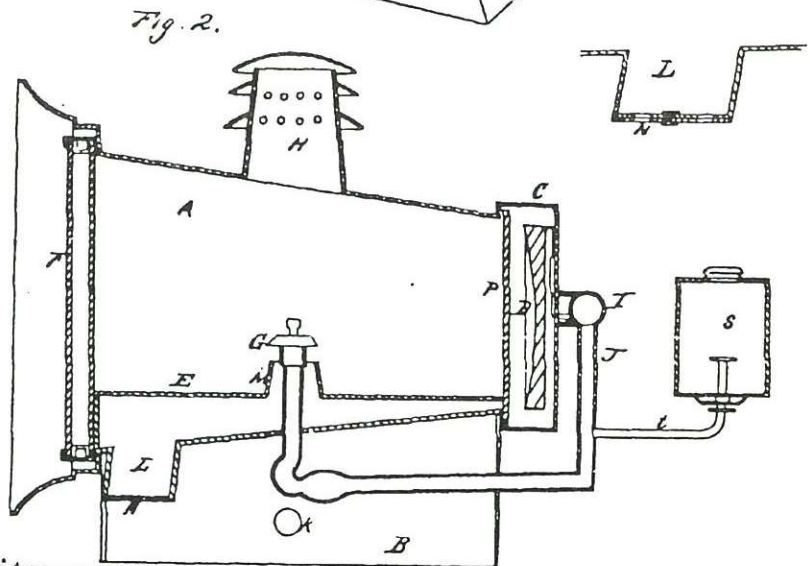
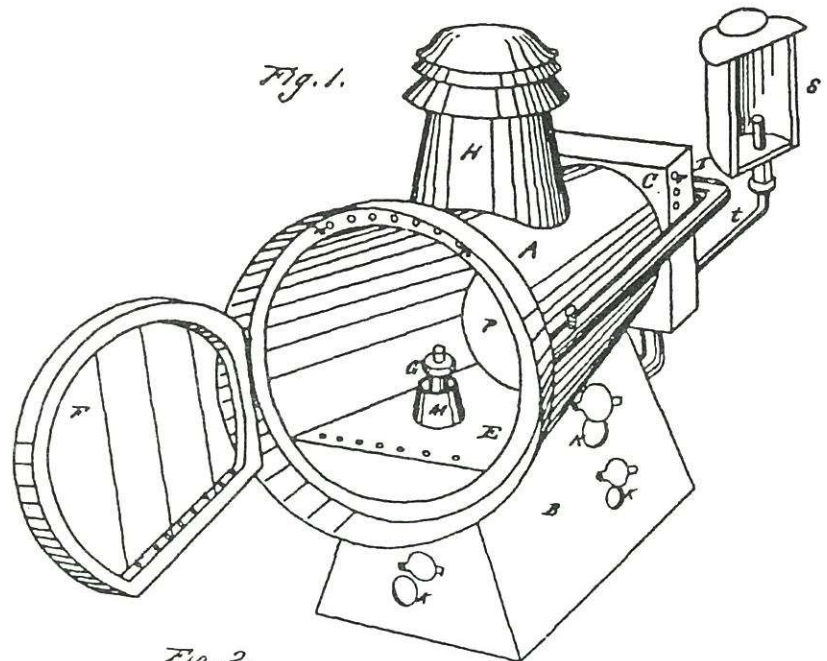
In addition to the main lighting mechanism, Brown added a smaller rear lamp that pivots to provide light to small areas for miners working behind the main lamp. Both lamps draw off the same fuel reservoir.

Whether or not these lamps were ever produced I don't know, but a patent model was provided. Here is another item for lamp collectors to be looking for.

C. B. BROWN
Mining Lanterns.

No. 154,831.

Patented Sept. 8, 1874.



Witnesses

John L. Boone
C. Milton Richardson

Coolidge B. Brown
By Sewey & Co
Attys