

Patented Caps and Lamp Holders

Dave Johnson

Four distinct varieties of miners cap lamps exist - Lake Superior style candleholders, oilwick lamps, carbide lamps, and electric lamps. Even before candlesticks came into common use, candles were attached to miner's caps with lumps of clay. Records of British and early American mining companies indicate the purchase of specific types of clay for this express purpose. This method of attaching candles to miner's caps can be seen in many pre-1900 mining photos.

Lake Superior style candlesticks differ from western candlesticks in the configuration of the hook which turns more closely to attach to a hat, unlike the western hook which makes a wider turn and is designed to hook on a rock or mine timber and not be worn on the cap.

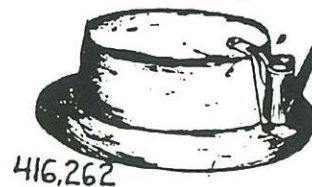
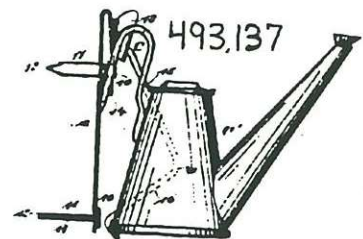
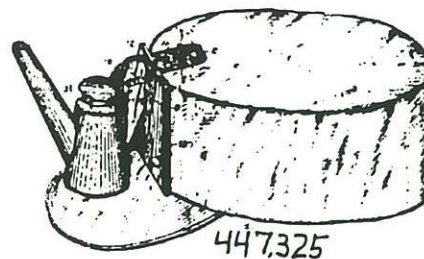
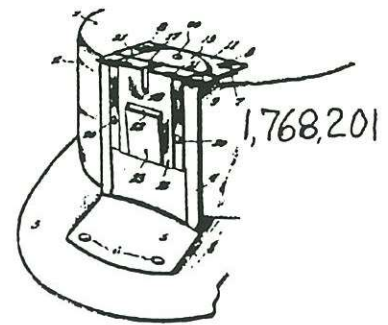
The early Lake Superior candlesticks were first attached to miner's caps by placing the hook through a slit in the cap. The miners' caps of this period were made of several materials. Some were oilskin with a cloth liner, some were leather, some just canvas cloth, and others were made of resined felt with a cloth liner.

While oil wick lamps were being patented by the 1860's, the caps the miners wore them on were first patented on April 7, 1896. This seems somewhat odd since the lamp holders or brackets that attached to miner's caps were first patented on December 3, 1889, before the caps themselves were patented. This first 1896 "miner's hat" patent is actually for two distinctly different hard hats. One features "a resilient outer, a lining within and spaced from the shell and a series of spring clips for securing the lining to the shell." The second is "a hat comprising a metal outer shell, a lining of flexible material, a head-band secured to the lining and curved spring plates for securing the band to the outer shell."

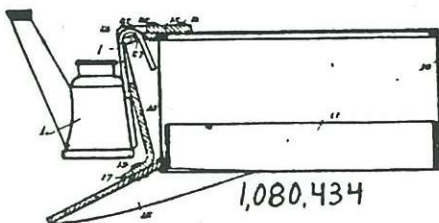
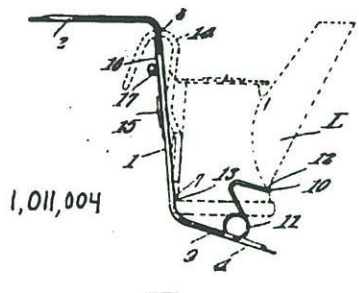
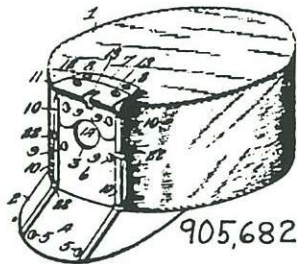
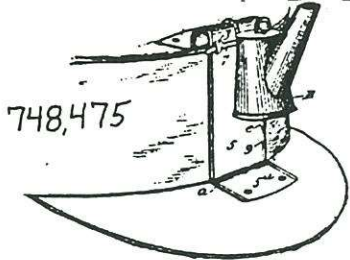
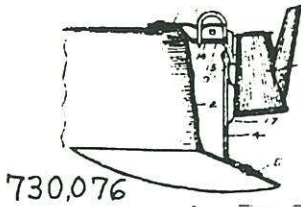
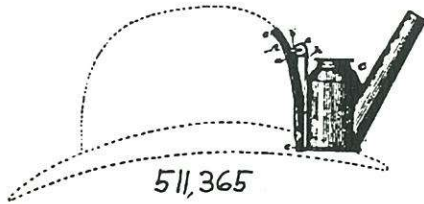
The first patent for the commonly seen canvas miner's cap was not granted until April 13, 1909 and features an oilwick lamp in the patent drawing. Interestingly EUREKA! October 1995



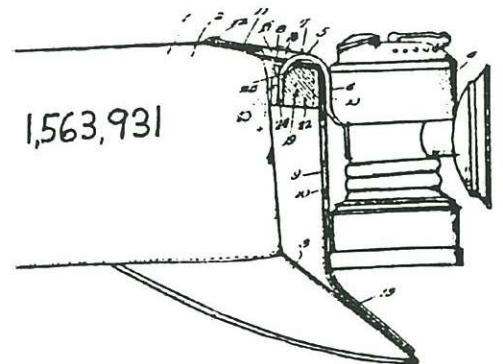
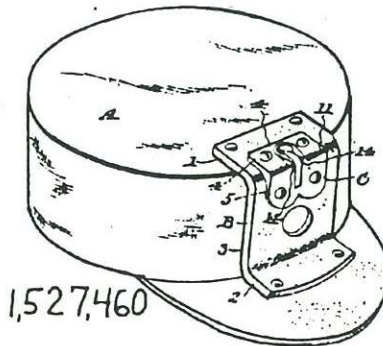
Jos. Barta Patent lamp holder, made by Penn Mfg. Co.

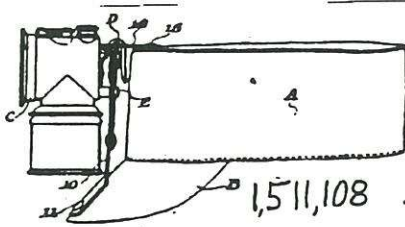


LAMP HOLDER FOR MINER'S CAPS PATENTS

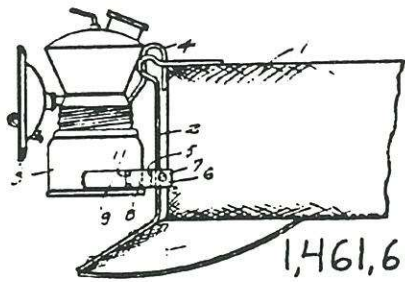


PAT. NO.	PAT. DATE	PATENTEE	LOCATION
416,262	December 3, 1889	Charles H. Hobson	Mt. Carmel, PA
430,691	June 24, 1890	Warren C. Rockwell	Mt. Carmel, PA
442,185	December 9, 1890	Charles H. Hobson	Mt. Carmel, PA
447,325	March 3, 1891	Charles H. Hobson	Mt. Carmel, PA
493,137	March 7, 1893	Julius R. Watts	Springfield, IL
511,365	December 26, 1893	John A. Simpson	E. Cambridge, MA
515,133	February 20, 1894	John A. Simpson	Cambridge, MA
524,528	August 14, 1894	Charles H. Hobson	Mt. Carmel, PA
575,221	January 12, 1897	Louis P. Eisenbeis	Ottumwa, IA
674,321	May 14, 1901	Audley H. Snow	Matewan, WV
674,322	May 14, 1901	Audley H. Snow	Matewan, WV
730,076	June 2, 1903	Cecil R. Anderson	Allegheny, PA
748,475	December 29, 1903	James A. Brown	Pocahontas, VA
761,764	June 7, 1904	Joseph Danner	Scranton, PA
791,231	May 30, 1905	Isaac Wantling	Peoria, IL
836,481	September 20, 1906	William N. Brown	Lebanon, IL
905,682	December 1, 1908	William Firman	Ottumwa, IA
938,942	November 2, 1909	Cecil R. Anderson	Bellevue, PA
1,011,003	December 5, 1911	Walker S. Adams	Parkersburg, WV
1,080,434	December 2, 1913	Nicholas Frieband	Shenandoah, PA
1,168,700	January 18, 1916	Lovell M. Ashley, Jr.	Winona, WV
1,271,368	July 2, 1918	James M. Roberts	Fredonia, KY
1,397,200	November 15, 1921	Joseph Barta	Martin Ferry, OH
1,428,453	September 5, 1922	Benjamin Schwarz	Breeze, IL
1,454,034	May 8, 1923	Edward S. Barnstable	Nokomis, IL
1,461,607	July 10, 1923	Newton Farley	Lillybrook, WV
1,466,300	August 28, 1923	Eli Israel	Wilkes-Barre, PA
1,470,923	October 16, 1923	William Israel	Wilkes-Barre, PA
1,485,842	March 4, 1924	James Fisher	Austen, WV
1,490,831	April 15, 1924	Thomas R. Jones	Wilkes-Barre, PA
1,506,608	August 26, 1924	Frank Bayer	Majestic, KY
1,511,108	October 7, 1924	George S. Clark	Portsmouth, OH
1,527,460	February 25, 1925	Joseph Barta	Martins Ferry, OH
1,554,451	September 22, 1925	John B. Marco	Collinsville, IL
1,563,931	December 1, 1925	Louis Scherz	Wilkes-Barre, PA
1,569,762	January 12, 1926	Fred Lewis	Lejunior, KY
1,578,219	March 23, 1926	Frank K. Tovey	Pittsburgh, PA
1,588,472	June 15, 1926	George S. Clark	Portsmouth, OH
1,689,090	October 23, 1928	Charles W. Watkins	Kingston, PA
1,715,148	May 28, 1929	George B. Simmons	Ottumwa, IA
1,768,201	June 24, 1930	Eli Israel	Wilkes-Barre, PA

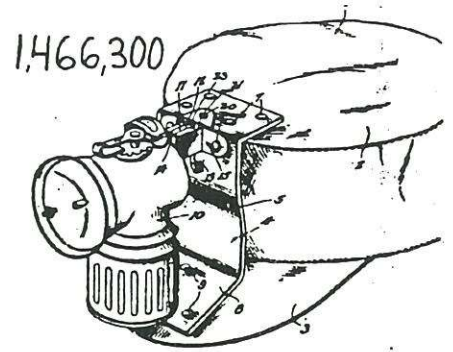




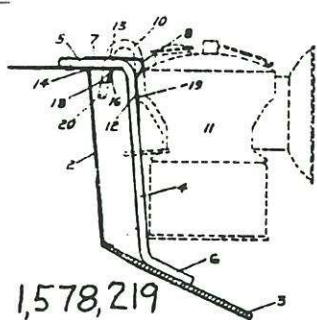
1,511,108



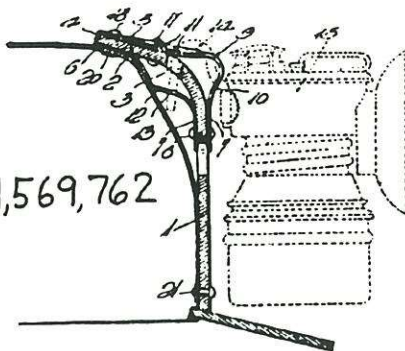
1,461,607



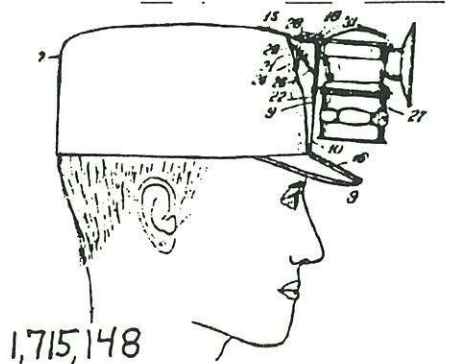
1,466,300



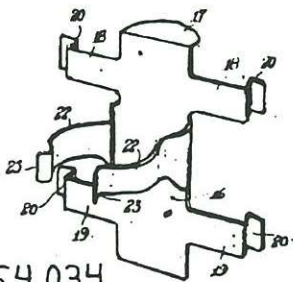
1,578,219



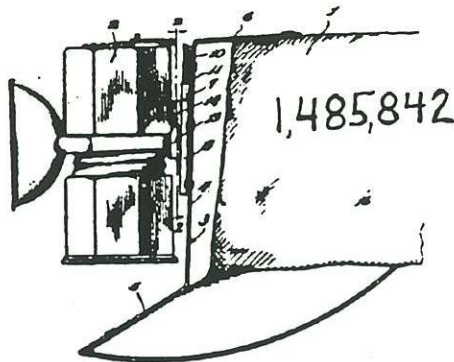
1,569,762



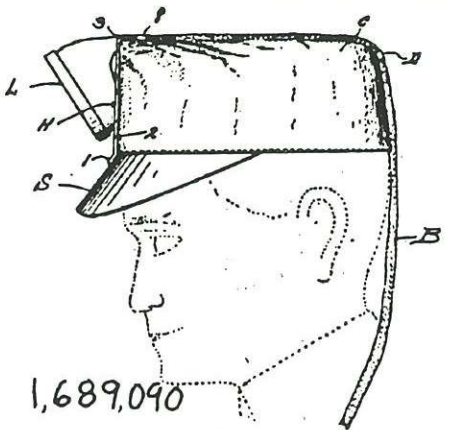
1,715,148



1,454,034



1,485,842



1,689,090

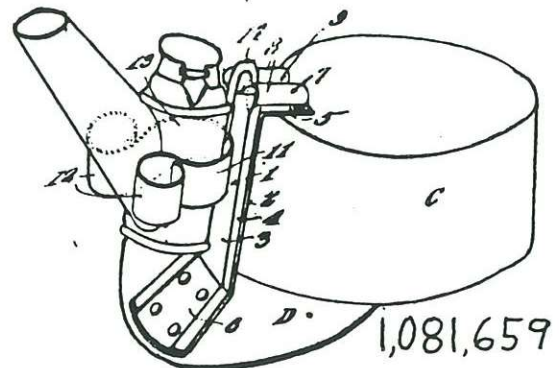
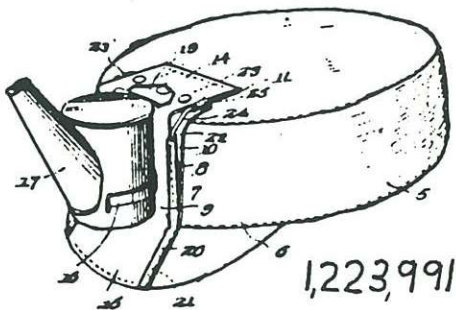
enough, a miner's cap patent drawing for July 2, 1918, (well into the carbide lamp era), still features an oil wick lamp attached to the cap. It was not until 1923 that a patent drawing for miner's caps featured a carbide lamp.

An interesting, but totally impractical, patent from September 1, 1908 is for a miner's cap that features a built-in battery powered lamp. The battery pack was built into the cap. This would have been a rather heavy affair to wear in order to house a battery that would last an entire shift.

The earliest patents for miner's cap lamp holders all feature oil wick lamps in the patent drawings. These devices were patented under numerous names, such as brackets for miner's hats, miner's lamp holder, lamp-support for miner's hats, hook-plate for lamp-holders of miner's caps, lamp-holder for miner's caps, miner's cap attachment, lamp holding attachment for miner's caps, cap visor and lamp support, miner's carbide-lamp carrier, miner's lamp clip and stay, lantern holder for miner's hats, and electric-lamp-holding attachment for miner's

MINER'S CAP PATENTS

PAT NO.	PAT. DATE	PATENTEE	LOCATION
557,864	April 7, 1896	James McNamara	Calumet, MI
595,595	December 14, 1897	John Beck	Carnegie, PA
688,092	December 3, 1901	William Israel	New York, NY
691,623	January 21, 1902	Alfred Harris	Calumet, MI
897,588	September 1, 1908	Lewis W. Cogswell	Taylorville, IL
917,987	April 13, 1909	William C. Ballman	Six Mile Run, PA
931,463	August 17, 1909	Ida M. McPherson	Yatesboro, PA
974,442	November 1, 1910	Albert A. Sonak	Sprague, WV
1,007,984	November 7, 1911	Squire Johnson Skelding	Mt. Carmel, PA
1,081,659	December 16, 1913	David F. Brubaker	Glen Campbell, PA
1,217,547	February 27, 1917	George Adams	Dartmoor, WV
1,223,991	April 24, 1917	Lawson McClasky	Butte, MT
1,305,895	June 3, 1919	Michael J. Gibbons	Shenandoah, PA
1,347,046	July 20, 1920	Martin T. McDonough	Wheeling, WV
1,444,278	February 6, 1923	Walter R. Scott	Nokomis, IL
1,449,867	March 27, 1923	Charles H. Meister	Bellaire, OH
1,483,626	February 12, 1924	Joseph Gayeski	Shamokin, PA
1,525,030	February 3, 1925	Emanuel N. Galanis	New York, NY
1,540,345	June 2, 1925	Frank Kowasik	Hiawatha, UT
1,586,701	June 1, 1926	Andrew Reppa	Barton, OH
1,652,776	December 13, 1927	Emanuel Galanis	New York, NY
1,722,869	July 30, 1929	John Vanusek	Republic, PA



caps. These cap lamp holders feature oil wick lamps in the patent drawings from the first patent in 1889 through the July 2, 1918 patent. The first carbide lamp is shown in a patent drawing for July 10, 1923 and features what closely resembles a pinch-waist Baldwin. The patent for August 28, 1923 shows what is obviously a Justrite lamp. The T. R. Jones patent for April 15, 1924 has a lamp that could be a Scranto. The Louis Scherz patent for December 1, 1925 features a Grier Bros. look-alike lamp, while the George B. Simmons patent of May 28, 1929 has what is obviously an Autolite lamp.

This last Simmons patent is assigned to the American Mining Tool Co. of Ottumwa, Iowa (See EUREKA!, Issue 2 p. 15-16). The Frank Tovey patent of March 23, 1926 is assigned to the Union Cap Manufacturing Co. of Pittsburgh, PA., identified as a co-partnership composed of himself and Edward J. Eagan. The Joseph Barta lampholder patent of February 24, 1925 appears on soft caps and hardhats manufactured by the Penn Manufacturing Co. of Wilkes-Barre, Pa. The Penn Manufacturing Co. name also appears on a hard to find oil wick lamp. Patent 1,490,831 was issued to Thomas R. Jones, whose name appears on T. R. Jones oil wicks and T. R. Jones soft miner's caps. The Cecil R. Anderson patent of June 2, 1903 is assigned to the Martin Hardsocg Manufacturing Co. of Allegheny, PA (See EUREKA number 1, p. 13-16). Patent 493,137 for a bracket for miners' lamps was issued on March 7, 1893 to the same Julius R. Watts who received patent 478,487 for the PERFECTION oilwick lamp on July 5, 1892 (See EUREKA number 13, p. 16-17). Patent 1,466,300 for a miner's cap lamp-holder was granted on August 28, 1923 to the same Eli Israel of Wilkes-Barre, Pa., who received a patent for the well-known Leader carbide pocket can on October 23, 1923.

The first miner's cap lamp-holder to be patented specifically for electric rechargeable belt pack miner's lamps was issued to Charles Watkins, of Kingston, PA, on October 23, 1928.

While there were patents for miner's caps and lamp-holders after 1930, I elected to end my search in that year.

