



BITS



The Last XRAY?

This ad was sent to us displaying a very unusual version of an XRAY-like lamp. The lamp was probably made in the early 1920's. Unlike the standard XRAY, there are no scalloped indents on the tank. The base is a standard 1920's vintage style. The reflector brace looks more like a Hansen than that of the pre-20's XRAY. What a find this would be!



PRICE
85c
Postpaid

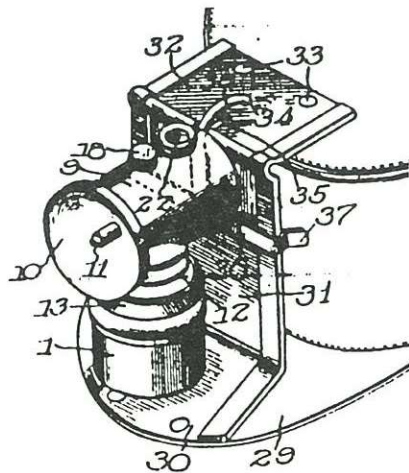
Hunter's Special Carbide Lamp

Is made of the best quality brass, hand soldered and perfect in workmanship. Equipped with round hook, spring cap holder, and enclosed chamber, water door. Has regulating water feed and polished brass reflector with sparker attachment.

Price, postpaid.....\$0.85

The First Justrite?

What's unusual here is the round screw-in water-door. This lamp would appear to pre-date the lamps shown in Justrite's first catalog, for they all appear to use the oval door. It sure looks a lot like the first Justrite patent though:



Patent applied for in 1911.



Stamped THE JUSTRITE, PAT. APPLD. FOR.