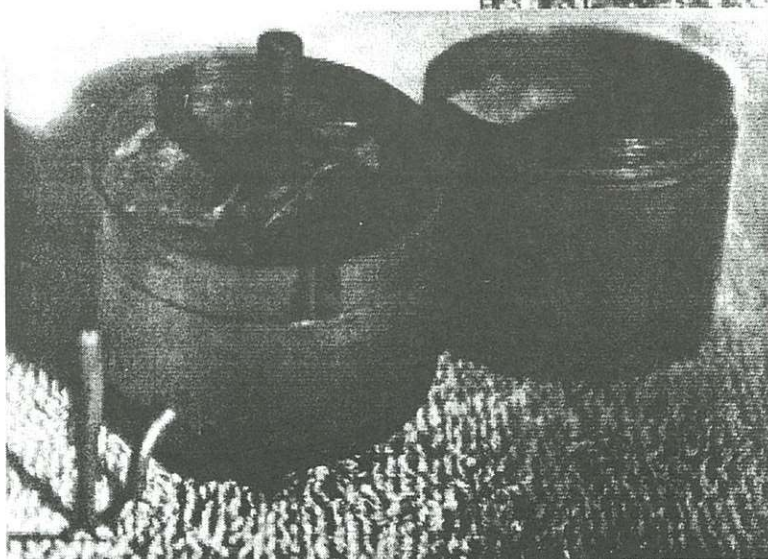


John W. Larimore Patent Carbide Miner's Lamp

by Al Quamen and Paul Kouts

From Paul Kouts' MCLR IV research:

John W. Larimore [of Springfield, Illinois] was the manager at the Eclipse Engine & Machine Co. in 1910; secretary of the Larimore Novelty Works in 1911 (its only year of listing); and an evangelist by 1914. One patent was held by Larimore and it has been established that he was acquainted with designer Frank Guy. The 1910 and 1911 listings show that Larimore had the knowledge and manufacturing potential to become involved in the industry, but how deeply involved is not known. Was the novelty works an unsuccessful effort to start manufacturing or was Larimore only a designer/collaborator working with Guy?



The question Paul raises is a little clearer to being answered with Al Quamen's recent find of a miner's carbide lamp that matches the patent. Al has seen one more of these in similar condition. The reflector shown above is from a Baldwin cap lamp.

UNITED STATES PATENT OFFICE.

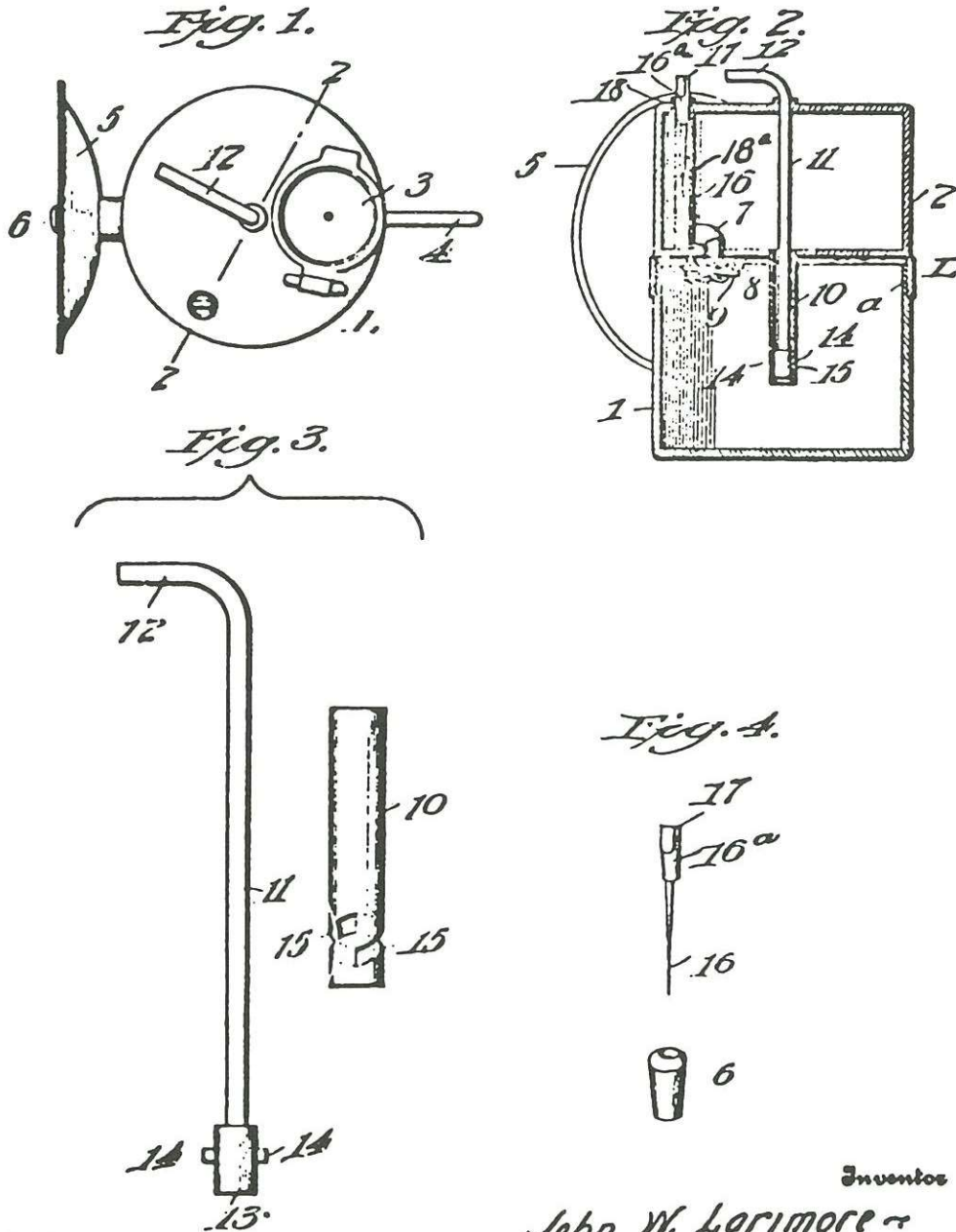
JOHN W. LARIMORE, OF SPRINGFIELD, ILLINOIS.

ACETYLENE-LAMP.

1,053,186.

Specification of Letters Patent. Patented Feb. 18, 1913, 1913.

Application filed December 1, 1911. Serial No. 663,283.



Witnesses
T. L. Moorman
Emory L. Groff

Inventor
John W. Larimore
By S. P. W. [Signature]
his Attorney