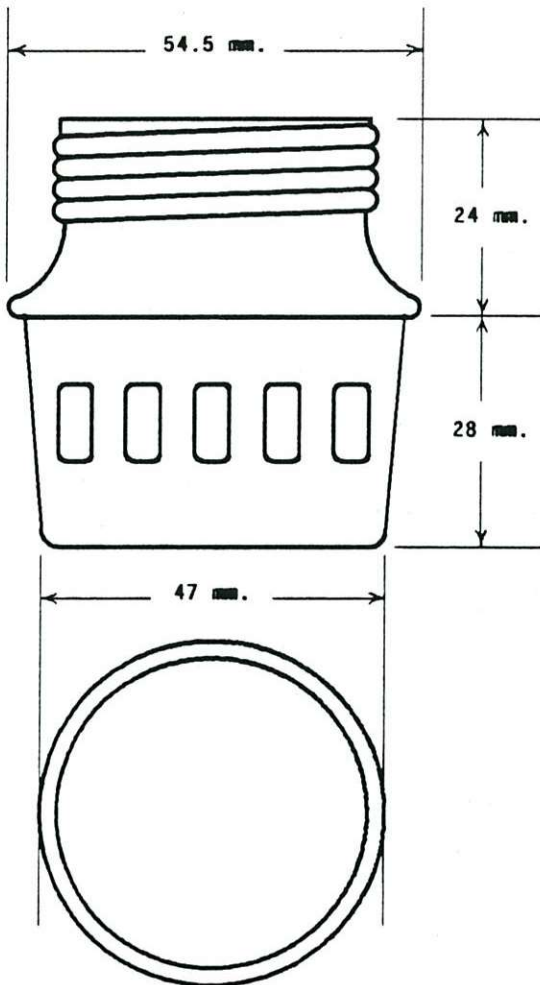
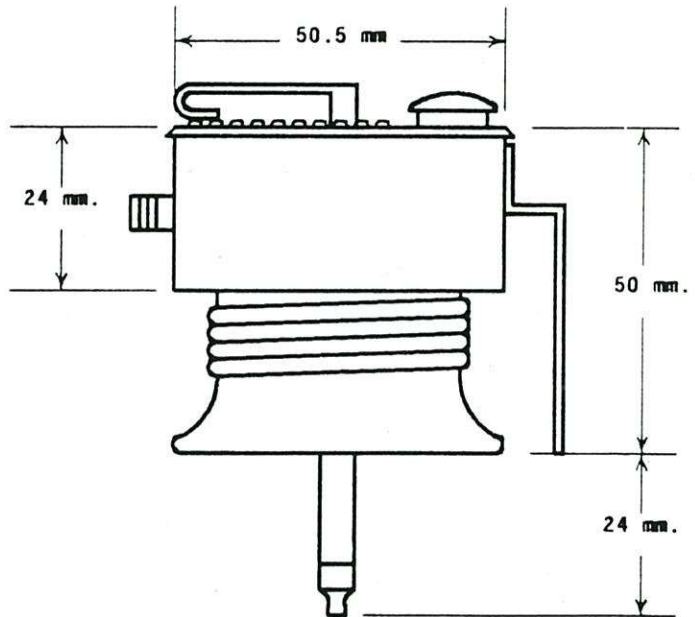


DEMON STRIKE LIGHT



Reflector Brace



Reflector Nut

Notes

1. The Demon Strike Light has only been found in brass.
2. This lamp has been found with a round hook soldered with a small plate like a Guysdropper.
3. The water feed is very similar to a Guysdropper.
4. Of the several known lamps, all have been found with 2 to 3 inch brass reflectors.
5. Minor variations in the top stamping have been found
6. The reflector brace is identical to that of a Guysdropper.



Ben Kachis


Demon Strike Light

The Demon Strike Light is yet another carbide cap lamp of unknown manufacture that has been discovered in the past several years. This lamp has been found both in the United States and Australia. Indications are that the Demon Strike Light saw at least moderate use in Australia, but may well have been manufactured in the U.S. Fellow carbide collector Dave Thorpe speculates that the lamp was manufactured by a company in Springfield, Illinois, possibly Shanklin Manufacturing. Dave also believes that the lamp dates from the 1930s.

The Demon Strike Light is strikingly (no pun intended) similar to a six patent date Guysdropper with a wide blade. The relatively minor differences are as follows.

<u>Feature</u>	<u>6 date Guysdropper</u>	<u>Demon Strike Light</u>
Knurled band on tank	Yes	No
Water door		0.5 mm. larger in diameter
No. of click stops	22	29
Flange	Partially crimped	Fully crimped

Water dropper		
Taper of carbide chamber		More pronounced
Bottom marked	Yes	No
Width of blade		2 mm. larger
Ridges on blade	Yes	No

Blade configuration		
---------------------	---	--

Thus the differences between a six date Guysdropper and a Demon Striker Light are cosmetic. Overall structure, appearance, and function are very similar. Even the water dropper appears to be the basic Guysdropper design. The similarities strongly suggest that the lamp was manufactured by the Shanklin Manufacturing Company (or by Auto-Lite which bought Shanklin in 1932).