

# THE UNDERGROUND LAMP POST



- MINERS WERE THE FIRST ECOLOGISTS -

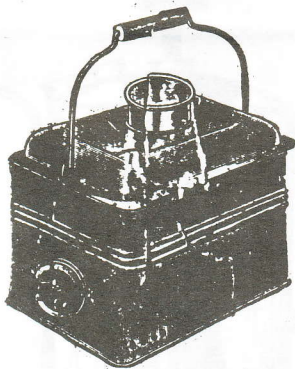
Vol. VI, No. 6

Spring, 1996

The Underground Lamp Post, devoted to old mine lamps, carbides, and candleholders. Mini-editor: Henry Pohs, 4537 Quitman St., Denver, Colorado, 80212

## THE COMBINATION DINNER PAIL HEATER AND LANTERN

What it is represented to be, and is recommended by all who use it.



Ask your jobber or dealer for the COMBINATION DINNER PAIL, or write to

The Combination Dinner Pail Co.  
96 Eighteenth Street  
Cor. Wabash Avenue  
CHICAGO, ILL.

Combination - Ron and Bunny Thomas have sent these copies of distressed literature for the comparatively little-known combination miner's dinner pail and oil wick lamp. Very few of these special utensils have been reported but quite a few must have

## THE COMBINATION DINNER PAIL HEATER AND LANTERN.



MANUFACTURED BY

THE COMBINATION DINNER PAIL CO.  
106 EIGHTEENTH STREET, Cor. Wabash Avenue CHICAGO, ILL.

been manufactured judging by the expensive and extensive special tooling required. U. S. patent #581,058 of April 20, 1897, was issued to Harry Bryan and William T. Harriman of Cadiz, Ohio. The illustration below (from p. 625 of our new book) was part of the letters patent.

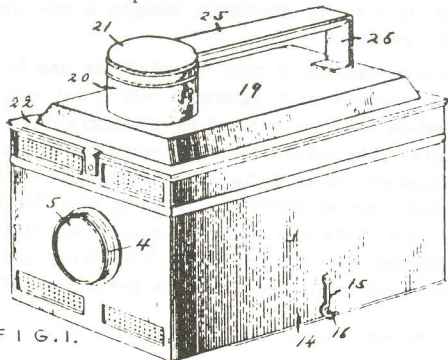


FIG. 1.

## The Combination Dinner Pail Heater and Lantern

Is indispensable to all classes miners, railroad section and construction men, engineers, firemen, mortormen, street car conductors, teamsters, factory and shop men, men working in lumber and logging camps, etc., etc.

We call our pail the

### COMBINATION DINNER PAIL

because it gives light and heat, serving the double purpose of

### HEATER AND LANTERN.

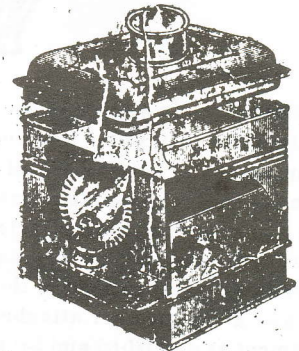
It throws a light from a bull's eye lens equal to the best lantern, and will heat coffee in a few minutes in the coldest weather.

The pail is the same in size as the ordinary square dinner pail, 6x6 1/4 x 9 1/4, constructed on such principles that it will hold as much food as other pails. The tank holds about two quarts.

You will notice from the cut that a partition divides the pail, making an air-tight compartment, so that it is impossible for the fumes of the lamp to come in contact with the food. The cover makes the coffee

tank, and the lunch box is constructed on the telescope plan. In the lunch box we have a pie tray, on which pie or other food can be heated.

The lamp lifts right out of the pail, and is lighted by lifting of cover, and is regulated on the outside by special ratchet or key.



When using for lantern and when there is no liquid in tank, turn iron plate over flame to prevent burning of tin. The lamp burns two-thirds Lamp Oil and third Kerosine mixed; also Kerosine and Alcohol. Turn wick until the flame spreads even and strong and you will get a beautiful light and heat.

Ballard - Museum - We have received this business card from long-time correspondent and friend Mark Ballard. He has the following message: "Wanted - U.M.W.A. items: old metal signs from Orient Coal, Old Ben Coal, etc. Several items for trade." Mark has worked long and hard at his commitment, so give him a call.

THE NATIONAL MUSEUM  
OF COAL MINING  
WEST FRANKFORT, ILLINOIS

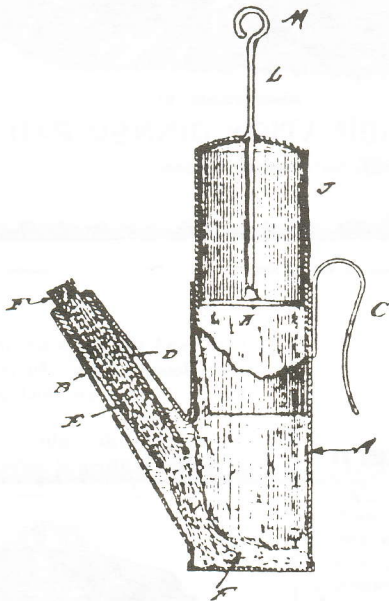


Mark Ballard  
President

P.O. Box 369  
West Frankfort, IL 62896

home  
(618) 993-8482

816,725. MINER'S LAMP. EDWIN D. HODSON, Canton, Ill., assignor of one-half to Benjamin B. Hinkle, Canton, Ill. Filed Apr. 11, 1905. Serial No. 255,030.



*Claim.*—1. In a torch of the character described, a container, a wick therefor, a tubular telescoping member adapted for entering the container and holding the oil to be burned, and a sliding member within the said telescoping member for ejecting the oil.

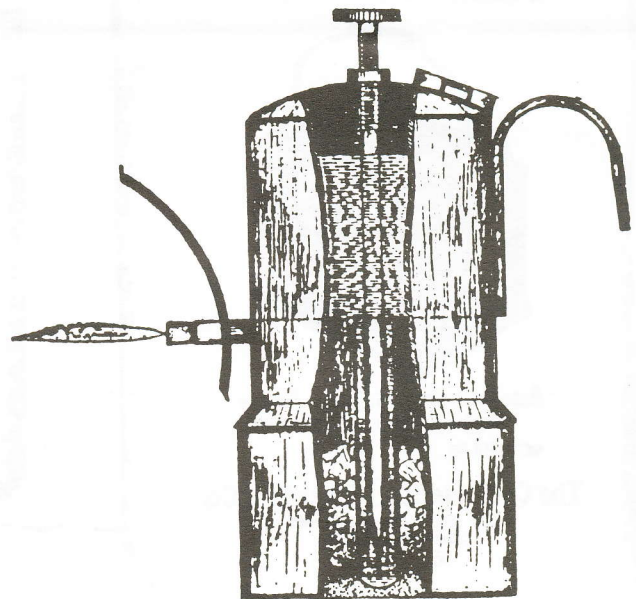
2. In a torch of the character described, a container for the oil, an inverted cupped member adapted for entering the container, a member adjustably carried in the cupped member for vertical movement and a rod member attached to said member for making such adjustment as described and for the purposes explained.

3. In a torch of the character described, the body for containing the material to be burned, the burner-tube secured thereto and larger at its end of attachment with the body than at its free extremity, a wick-carrying tube for insertion into the latter, the same being smaller at one end than the other but whose internal diameter is uniform throughout its length, a wick carried in said tube, the latter being split for the purposes indicated.

From: Mining Science, Vol. 62,  
No. 1604, Oct. 27, 1919, p. 399.

It is often argued that the portable acetylene mine lamp cannot always be relied upon to give a uniform light owing to the water feed becoming partly clogged with carbide smudge and reducing the amount of gas generated. There may be some truth in this assertion, but as is the case with all lamps, especially flame lamps, much depends for successful operation upon the care and attention given to keeping the lamp clean, the grade of illuminant used, and the feed adjustment. If a little time is devoted daily to adjusting and cleaning the lamp, practically no trouble will be experienced from obstructed feed and spasmodic jumping of the flame.

The lamp shown in sketch is a good type for ordinary mine use, and is simple in construction. It consists of two brass chambers, the upper one being the water vessel, the lower one the calcium carbide retainer. The joint is a screw connection made air-tight by means of a rubber gasket.



Phantom View of Acetylene Lamp.

The water is fed to the carbide down a center screw pin that terminates in a fine point. The lower portion of this pin is encased in a small fixed tube, through the tapered bottom of which the pin point slightly projects. The whole of that portion of the feed pin and tube contained in the carbide retainer is enclosed in a loose perforated sleeve to prevent clogging. The rate of water feed is about 20 drops per minute. The gas tube is loosely packed with cotton wool for filtration, and fitted with a small Bray burner of fine bore. A nickel-silver reflector is affixed to the gas tube. The retainer holds 3 ozs. of carbide and will furnish about a 10 candle power light for 2½ hr. The lamp stands 3½ in. in height, is 2 in. in diameter, weighs 5 ozs. empty and 10 ozs. fully charged.

Quarter-inch size carbide is best adapted for use in this lamp as it disintegrates and exhausts well, yet not too quick. Fine crushed carbide as used by photographers also gives good results. The carbide supply may be carried in spare capped retainers, or in a handy combination carbide, water, and match pocket canister. Taking the force of calcium carbide at 4 cents a pound, the cost of running the lamp will not exceed 2 cents per day. The lamp gives a strong light not easily blown out, and is perfectly safe.

By J. H., in the Science and Art of Mining.

Lamp Ins - Steve and Malia Rush hosted the annual Colorado area lamp collectors convention this past January at their "diggings" near Conifer, Colorado. This fourth annual AD (after discovery) and 27th annual BC (before current) meeting was a happy, pot-luck, show-and-tell affair. Many lamps, candlesticks and rock drills were displayed.

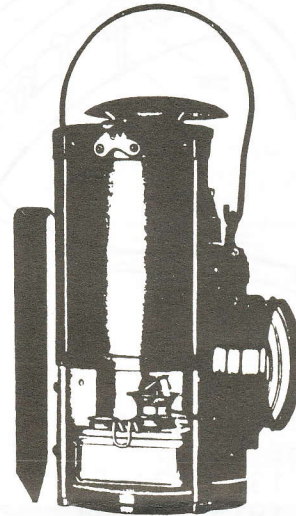
Also last January, Errol Christman hosted another of his inimitable week-end meetings at his northern California "Showcase" lamp house. A Cornish pasty supper was a feature of the day along with the buying, trading and story telling.

Many thanks to these kind hosts for their hospitality.

Mine car lamp - Page 115 of a splendid railway lamp catalog reproduction has yielded a surprise mine car lamp as illustrated here. Perhaps little-known until now, this lamp illustration should spark renewed interest and sources in the hunt to re-discover underground flame lights.

Acquisition of this fine catalog has led to correspondence with Mr. David Dreimiller of Hiram Press in Hiram, Ohio, who is also interested in our work. Information on the railway and railroad signal lamps is reproduced on this page. You can order a copy of the railway catalog from the address below.

DRESSEL



No. 185 Mine Tail Lamp

Made of No. 22 Gauge Steel and Tinned

Fitted with:

- Burner: No. 0 Dressel. 4 1/2" Shaft.
- Door: Sliding, with Pressed Steel Water Shed.
- Fount: No. 8 Drawn Tin One-day Fount.
- Guard: Heavy Wire Guard placed in front of lens to prevent breakage.
- Hanger: Made of 3/4"x2 1/2" Iron, riveted to back of lamp, fits over iron rail on mining car.
- Lens: One 4" Red.
- Lens Holder: "U" Shaped Adjustable Band.
- Ventilator: Balanced Draught or "No Sweat" Principle.

Bulletin No. TL-170 Tail Lamps

115

**THE  
DRESSEL  
RAILWAY LAMP & SIGNAL  
COMPANY**

**ORDER YOUR COPY NOW!**

Yes! Please send me a copy of the Dressel Railway Lamp & Signal Co. catalog reprint at only \$21.95 per copy (plus \$3.25 to cover first class mailing). Orders shipped within Ohio must include 6.25% (\$1.37) state sales tax. Make checks payable to Hiram Press.

NAME: \_\_\_\_\_  
 ADDRESS: \_\_\_\_\_  
 \_\_\_\_\_  
 \_\_\_\_\_  
 \_\_\_\_\_

**Hiram Press**

P.O. Box 1926 \* Hiram, Ohio 44234-1926 \* (216) 569-7251

1926 CATALOG OF RAILWAY LIGHTING EQUIPMENT

Annotated Reprint by David Dreimiller

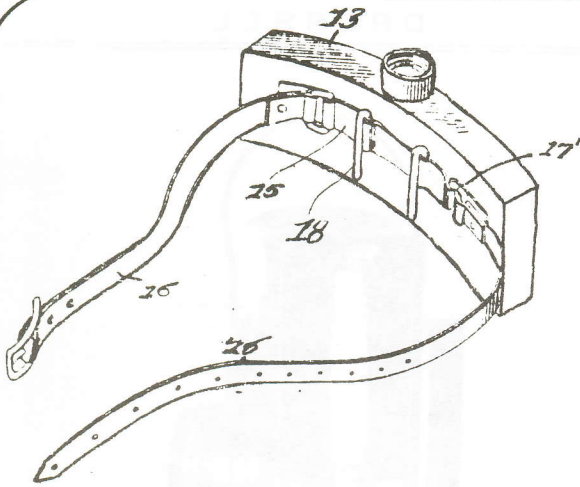
**DRESSEL**  
RAILWAY LAMP AND SIGNAL  
**COMPANY**  
ARLINGTON, NEW JERSEY

---

Bulletin No. EL-180

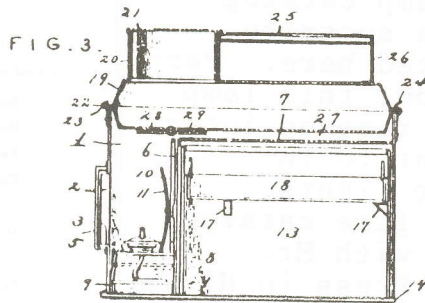
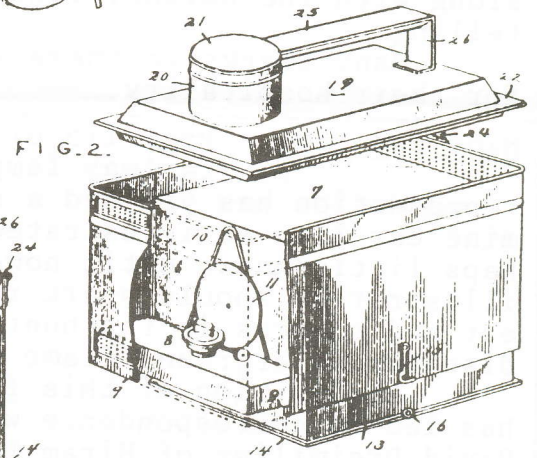
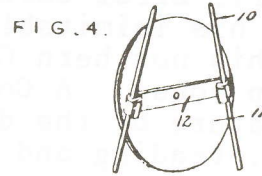
**ENGINE  
CLASSIFICATION LAMPS**

Below - Combination miner's lunch pail and oil wick lamp patent illustrations; continued from Page 1.



Above - Illustration for U. S. patent #1,136,303 of April 20, 1915 issued to Stanley J. Yellen of Great Neck, New York. "A miner's lamp including a reservoir adapted for attachment with a head covering and provided with a concave face disposed to confront the head covering."

U. S. patent #581,058  
April 20, 1897  
Harry Bryan and  
William T. Harriman  
Cadiz, Ohio



Frog lamps - Advertising right out of past centuries. Or, how a creative ad agency might have looked at the possibilities for promoting the sale of mine lamps. Prince lamps = frog lamps that have been kissed.

The PRINCE of MEAD . . . .

**BUD**

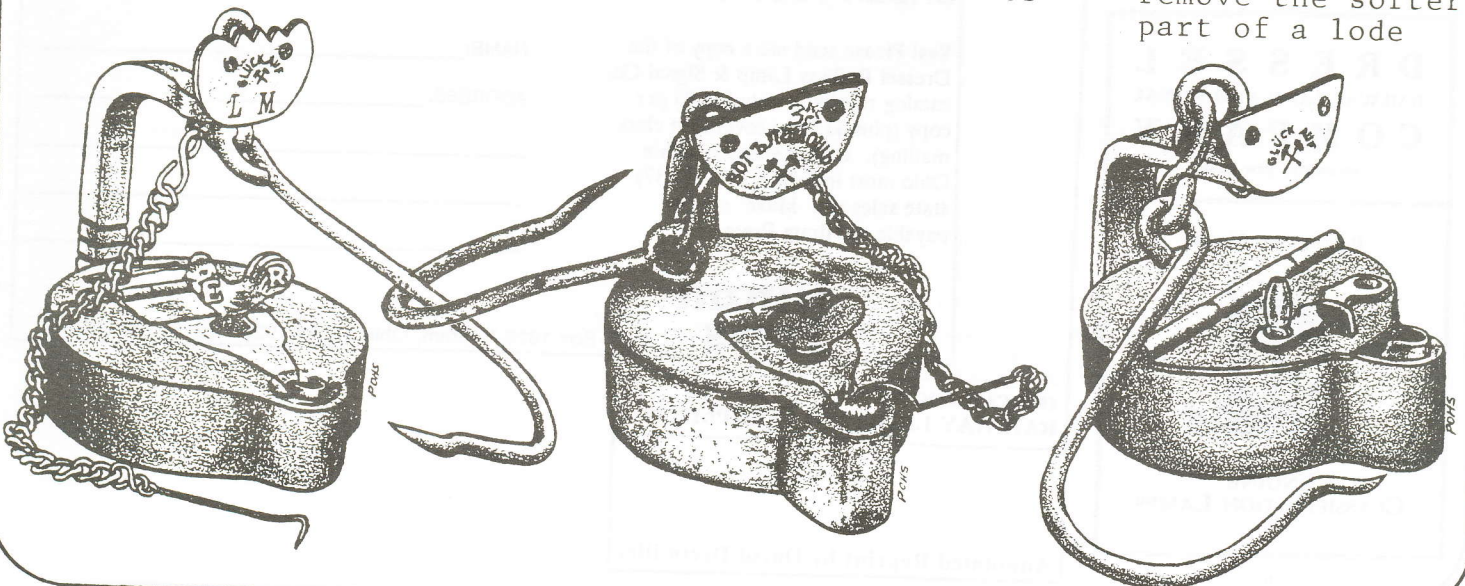
Buddle . . . partly dressed ore

**Y**

Y . . . the diversion of one tunnel into two drifts

**ZUR**

Zur . . . to remove the softer part of a lode

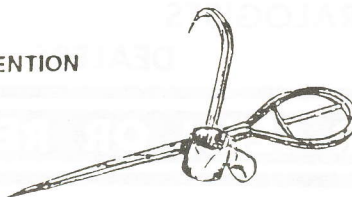




**3rd ANNUAL  
BLACK HILLS  
MINING COLLECTORS' CONVENTION**

LEAD, SOUTH DAKOTA  
May 31, June 1, 2, 1996

<b>Friday, May 31, 1996</b>	7:00 p.m.	Mixer - Golden Hills Resort
<b>Saturday, June 1, 1996</b>	9:30 a.m.	Tour of the Black Hills Mining Museum (Gold panning demonstrations, video theater, mining & local history displays, guided mine simulation tours)
	11:00 a.m.	Lunch at the Lead City Park (overlooking the open cut mine) Traditional Cornish Miners' Pasty
	12:00 p.m.	Return to Golden Hills Resort for set up
	1:00 - 5:00 p.m.	Mining antique show and sale - Convention Rooms, Golden Hills Resort
	6:30 p.m.	Dinner - Golden Hills Resort
	7:30 p.m.	Auction
<b>Sunday June 2, 1996</b>	5:45 a.m.	Underground tour of the Homestake Gold Mine (North America's Largest Gold Mine) (Approximately 3 to 4 hour tour) * *
	12:00 Noon	Lunch - Safety Department-Homestake Mining Co.



Conventions - June 1, 1996, should be a very busy day for lamp tramps from both the U.S.A. and Europe. Both the 3rd annual Black Hills meeting in Lead, South Dakota and the 4th annual Grubenlampen Sammlertreffen in Wilnsdorf, Germany, will be hosting enthusiasts on that very same day. Gluck Auf to both meetings.



\* \* Those participating in the underground tour of the Homestake must be 16 years of age or older and be in good health. Old clothes and boots are recommended. (Limit 50 collectors and dealers first)

**For more information about the Convention contact:**

Al Winters (307) 683-2403 Keith Schillinger (605) 584-2430  
Chuck Tesch (605) 584-2382 Brad Ross (307) 686-7070



**REGISTRATION**

**TOURS & MEALS:** Please denote those activities in which you intend to participate below. Prepayment must be enclosed with your order form.

1. Black Hills Mining Museum	_____ persons @ \$3.00	per person	\$ _____
2. Lunch - Traditional Cornish Miners' Pasties	_____ persons @ \$5.50	per person	\$ _____
3. Dinner - Golden Hills Resort	_____ persons @ \$14.00	per person	\$ _____
4. Lunch-Safety Dept. Homestake (Underground participants only)	_____ persons @ \$5.00	per person	\$ _____
5. Table Registration Fee	Full table _____ @ \$10.00		\$ _____

TOTAL ENCLOSED: \$ \_\_\_\_\_

(Please make check payable to Kristi Schillinger and mail to 610 W. Addle, Lead, South Dakota 57754)

**4. intern.  
Grubenlampen  
Sammlertreffen**



**1. Juni 96  
57234 Wilnsdorf 10-17 Uhr  
Festhalle**

Thank you - Once again this issue of the Lamp Post sends out our very special message of "thank you" to the many, many readers who have called and have written encouraging words this past season for both this newsletter and for our new book. We will never be able to thank our friends in northern California for their kindness. We also continue to be grateful to all who have sent information and postage to complement more of the benevolent printing from Tennessee. The envelopes are from Denver. We thank readers for postage from the following locations: Colorado, Illinois, Virginia, Maryland, Nebraska, Arizona, Utah, New Mexico, Missouri, Oklahoma, Indiana and Michigan. Thank you all.

Lamp Post © Copyright, Henry A. Pohn, 1996

MINERS

MINERALOGISTS

CAVERS

COLLECTORS

HISTORIANS

DEALERS

ANTIQUERS

**YOU HAVE NEVER SEEN OR READ A BOOK LIKE THIS**

# "the MINER'S FLAME LIGHT BOOK"

FIRST EDITION

- ♣ PRE-HISTORY CAVE LIGHTS ♣
- ♣ ANCIENT LIGHTS ✕ EARLY MINING ✕
- CULTURE and CIVILIZATION ●
- ♣ FIRST CENTURY LAMPS ♣
- ♣ CANDLEHOLDERS ♣ OPEN PAN FLAME LIGHTS ● METALLURGY and SMELTING ●
- ✕ MEDIEVAL MINE LAMPS ● MINING HISTORY and LORE ●
- ✕ FROG and TUNNEL MINE LAMPS ✕
- ✕ WESTERN U. S. MINER'S CANDLESTICKS ✕
- ✕ MINER'S OIL and SUNSHINE WICK LAMPS ✕
- COAL ECONOMY and SOCIAL CONCERNS ●
- ✕ MINER'S FLAME SAFETY LAMPS ● ROCK DRILLS ●
- ✕ MINER'S ACETYLENE CARBIDE LAMPS ♣
- ✕ MINE SURVEYOR'S LIGHTS ♣ CROSSBREED LIGHTS ♣
- COLLECTOR'S INFORMATION ● TRADE MARKS ●
- PRODUCT NAME LISTINGS ● MANUFACTURER LISTINGS ● U. S. PATENT LISTINGS ●

Henry Pohs has put all his wealth of lamp and mining lore into this volume. This is it . . . the definitive work on mine lighting.

**Prof. RICHARD FINCH**

Enlightening and enjoyable. Will take a place beside Agricola.

**JACK RAMSDELL**

Whether you are a serious student of mining or simply want to learn more about a fascinating but seldom-explored portion of our history, this book is for you.

**JOHN LEAHY**

I couldn't stop reading . . . there is so much information it boggles the mind.

**CHUCK YOUNG**

the MINER'S FLAME LIGHT BOOK

HENRY A. POHS



- 8.5 " (215.9 mm) x 11.0 " (279.4 mm) B-W FORMAT ●
- 865 PAGES ● 446 FOOTNOTE REFERENCES ●
- 3700-PLUS ILLUSTRATIONS (PHOTOS and DRAWINGS) ● 28 APPENDICES ●
- U. S. and METRIC DIMENSIONS ●
- BIBLIOGRAPHY ● HARD COVER and PAPER DUST JACKET ●

*Limited Edition!*

MAIL ORDER FORM TO: Flame Publishing Co., 4537 Quitman St., Denver, Colorado, 80212-2535

Ship _____ Book(s) @ \$89.50 U. S. each		
Handling, mailing carton, postage, shipping, etc.:		
<input type="checkbox"/> Domestic U. S. = \$8.50 each or Priority = \$11.50		
<input type="checkbox"/> Non-U. S. = \$14.50 U. S. each or European air = \$29.50		
Sales Taxes: <input type="checkbox"/> Colorado only: 3.0% = \$2.69 each		
<input type="checkbox"/> Colorado, RTD and Arts: 3.8% = \$3.40 each		
<input type="checkbox"/> Denver: 7.3% = \$6.54 each		
TOTAL PAYMENT: Please send U. S. funds (Non-U. S. = converted bank checks)		
Checks payable to: FLAME PUBLISHING COMPANY		
Ship to (PLEASE PRINT):		

*Thank you!*